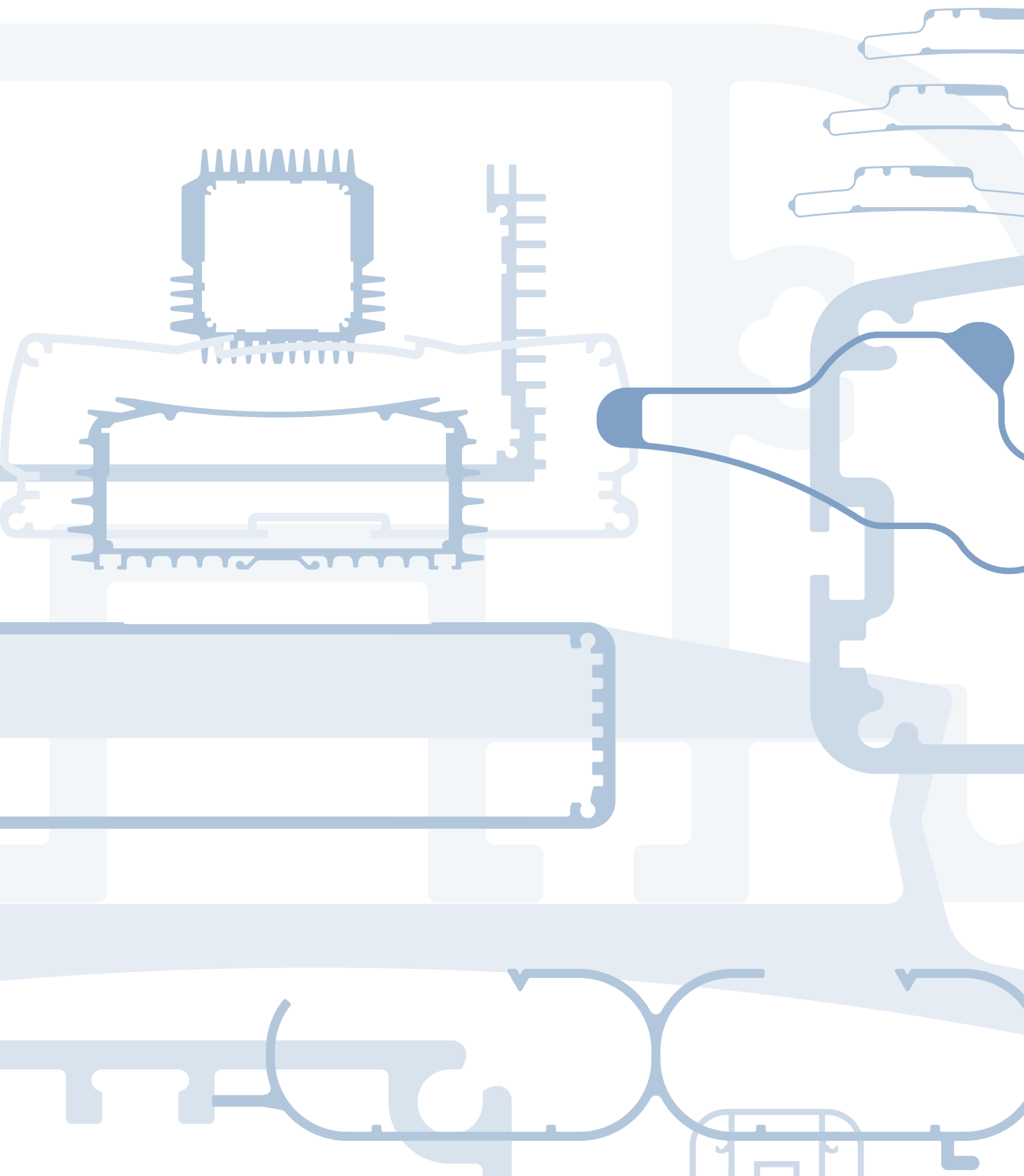


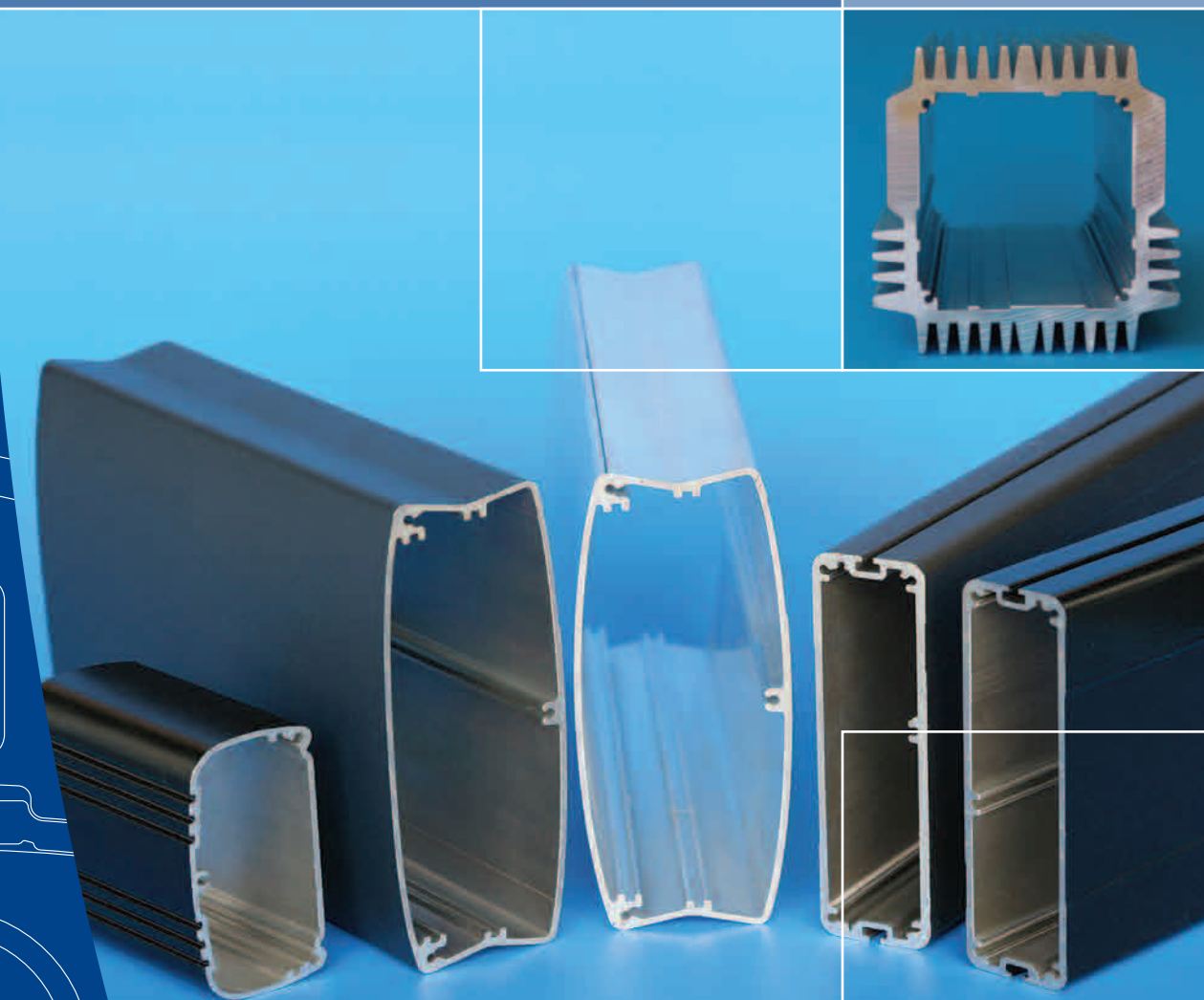
BTI

Aluminum extruded Boxes & Enclosures, produced in standard shapes, or according to customer specifications



Boxes and Enclosures

Short Form Catalog



BTI **2XL**
Metal Center Metal Products

www.bti-2xl.com

Nordia Industrial Zone, P.O.B 64, Nordia, 42954, Israel, Tel: +972-9-8845488, Fax: +972-9-8821088, Email: info@bti-2xl.com

BTI

Metal Center

Profile of Excellence

BTI Metal Center Ltd. is a leading supplier and producer of aluminum extruded Boxes & Enclosures, produced in standard shapes, or according to customer specifications.

The Boxes are manufactured in a wide range of sizes, from small to large shapes.

BTI produces the Boxes & Enclosures for various market segments and industries, such as: Hi-Tech, aerospace, military, commercial, automotive, audio devices, computers, electronics, machinery and telecom system.

BTI has been authorized to use the ISO 9001:2000 standard; and is identified with high standards of quality, delivery, service and pricing.

BTI Boxes & Enclosures Product Line:

- Optical Protectors
- Camera Enclosures
- Electronic Instruments
- Heat Sinks
- RFI/EMI Shielding houses
- Rugged Controllers

High Precision Extruded Boxes

The Boxes & Enclosures are manufactured with 6061 or 6063 Aluminum Alloy, using the extrusion technology, followed by extrusion, machining, painting, finishing and assembly capabilities.

General Processing Services:

- Cutting
- Deburring
- Drilling
- Extrusion
- Milling
- Machining
- Punching
- Stamping
- Turning

Semi-finishing Services:

- Brushing
- Grinding
- Heli-Coling
- Polishing
- Shining
- Soldering
- Tapping
- Vibration

Finishing Service

- Alodining
- Anodizing
- Painting
- Sandblasting
- Silk printing

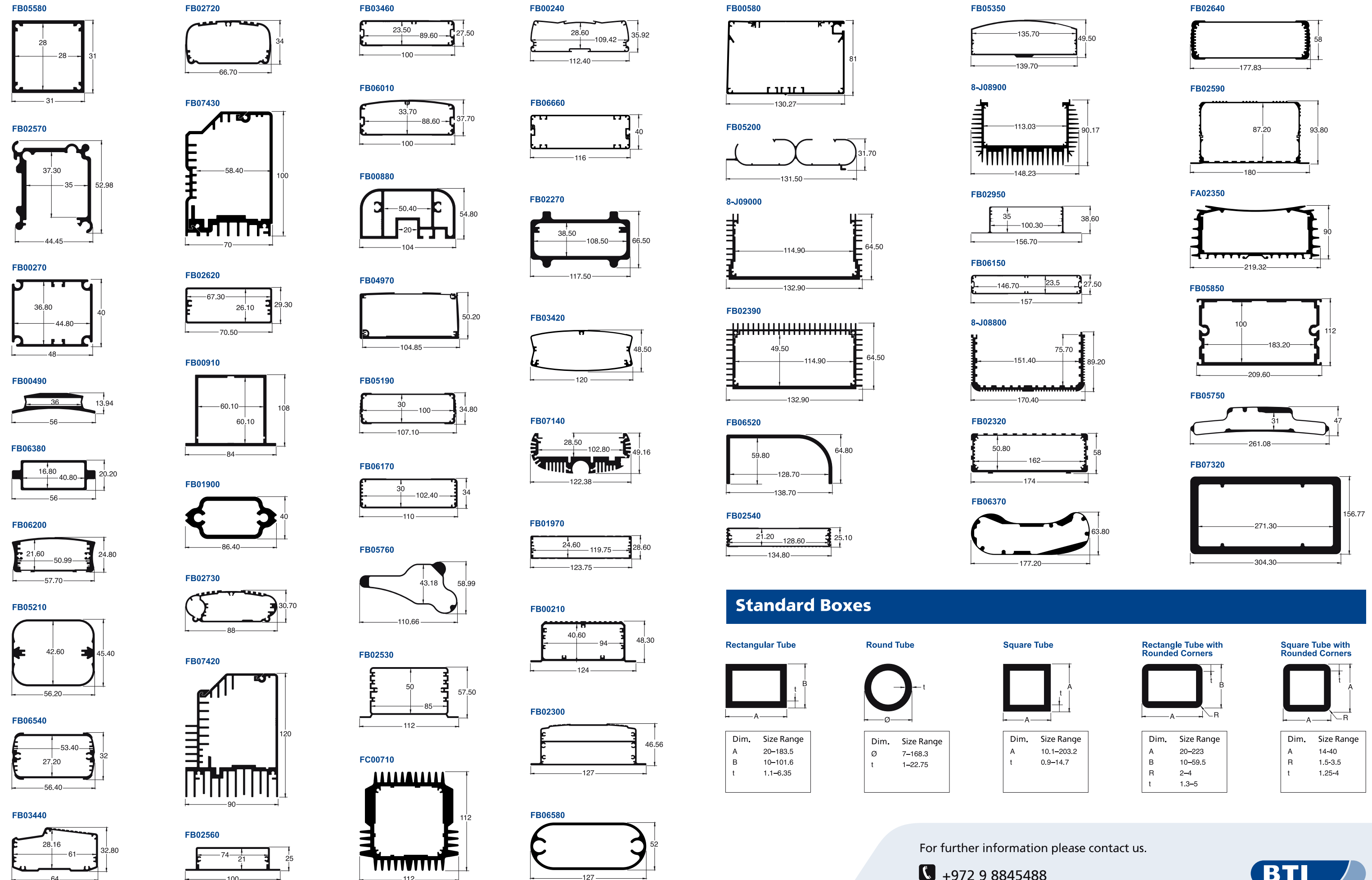
Technical Support

The BTI metal center's team provides support to customers, beginning with the design, sketching and drafting stages. In addition, the team advises customers with regard to the prototype development and the die design production – right up to the finished Box product.

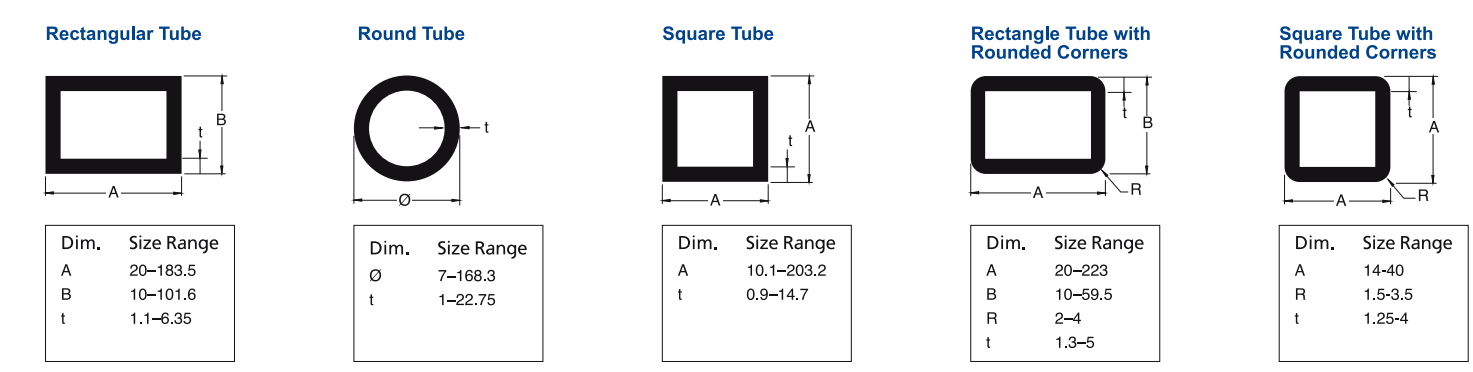
In order to provide comprehensive solutions, BTI is also involved in metallurgical issues and computer-aided design (CAD/CAM).

The BTI metal center's team works directly with customers in order to optimize design and cost effectiveness.

Customized Boxes & Enclosures



Standard Boxes



For further information please contact us.

+972 9 8845488
info@bti-2xl.com

